

Capacitance Fuel Level Transmitter - CFT

It is a microcontroller based level transmitter without moving parts to provide local & telematic digital level monitoring in Vehicles & DG sets.

Salient Features

- Compact microcontroller based design
- Low power consumption
- High Resolution
- Construction to suit turbulence
- Easy calibration thru push-buttons
- Probe length field reducible through cut-off

Construction & Operation

Consists of a sensing & ground concentric electrode with integral electronics housed in cast Aluminium enclosure (fig.1). The probe is top mounted with threaded / flanged process connections. The capacitance formed between sensing & ground electrode is proportional to the change in liquid level, is sensed and converted to 4-20mA analogue output.

Specifications

Service	: Diesel
Enclosure	: Cast Al WP-IP66
Cable Gland	: Polyamide x PG 9
Electrode Construction	: Rigid sensing with Concentric ground pipe

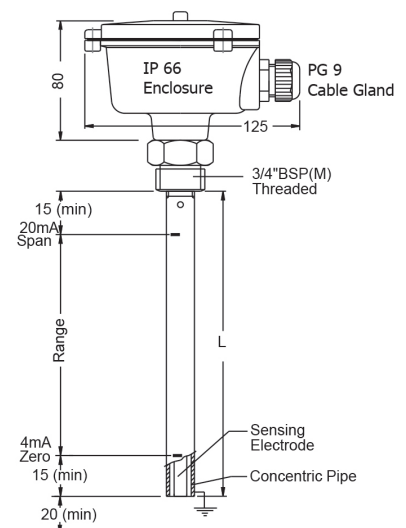
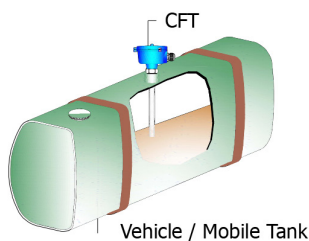


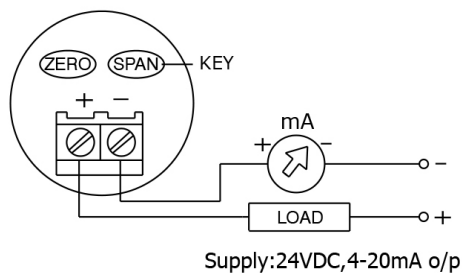
Fig 1

Electrode MOC	: SS304
Electrode Length	: 200 to 1000mm
Range	: Electrode length - 30mm
Process Connection	: CS x Screwed to 3/4" BSP (M)/ Flanged
Calibration	: Zero & Span calibration thru push button key
Power Supply	: 10 to 32 VDC
Output	: 4-20mA (2 wire) or RS 485 (4 wire)
Power Consumption	: 480 Milliwatt
Max Load	: 400 ohms at 24VDC
Accuracy	: 2% of FSD
Max Temperature	: 0 to 60°C
Max Test Pressure	: 2Kg/cm ²

Installation



Wiring & Termination



Applications

Vehicle Telematic Monitoring Systems, Construction Machinery, Heavy Equipments, Diesel Locomotives & Mobile Tower Diesel Gensets.

Model Identification

Output

4-20 mA

RS 485

CFT -



All dimensions in mm except specified

PUNE TECHTROL PVT LTD

[CIN: U31909PN1991PTC063403]

Regd. & Sales: S-18, MIDC Bhosari, Pune - 411026, India

Works: J-52/7, MIDC Bhosari, Pune - 411026, India

Tel.: +91-20-67313600

Email: ho@punetechnrol.com

www.punetechnrol.com

